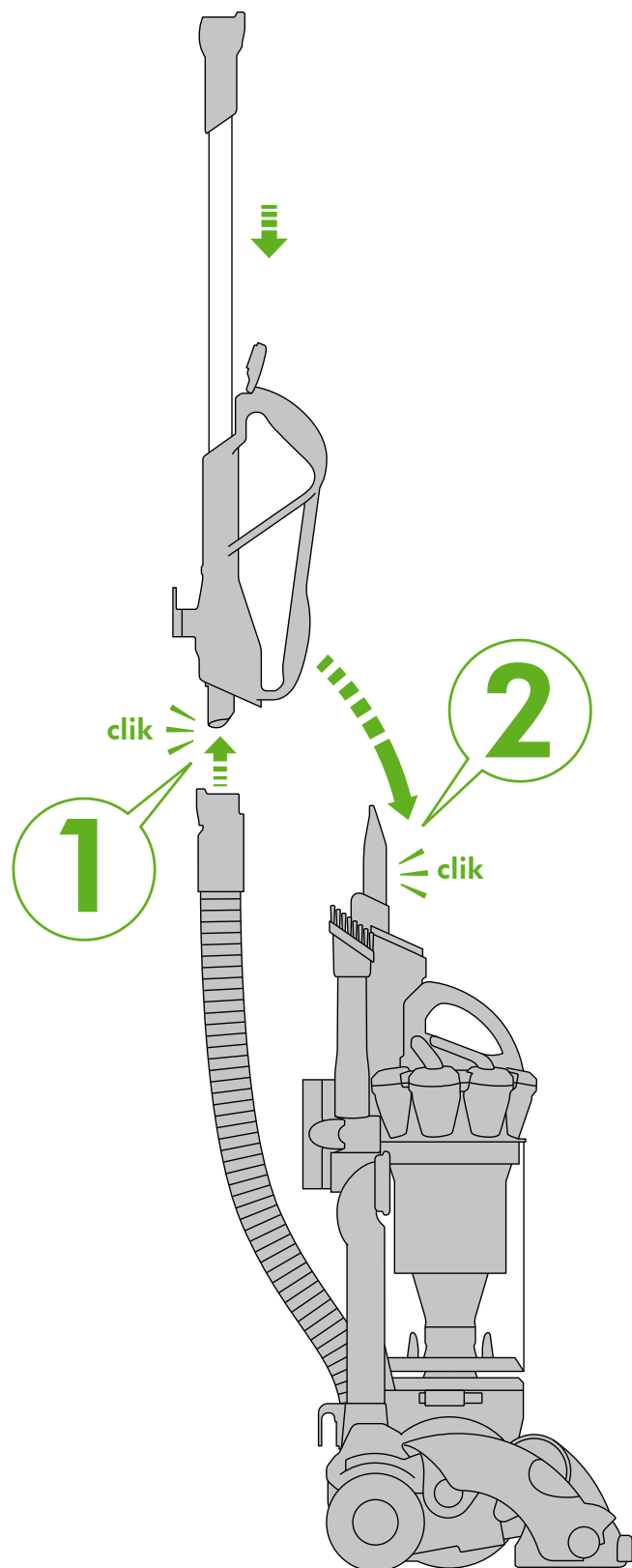


ASSEMBLY • ARMADO



 **3** months
meses

WASH FILTERS
Wash filters with cold water
at least every 3 months.

LAVADO DE LOS FILTROS
Lave los filtros con agua fría
al menos cada 3 meses.



REGISTER TODAY
3 easy ways to register
your 5 year warranty.

REGISTRE HOY
3 maneras fáciles de registrarse
sus 5 años de garantía.



IMPORTANT SAFETY INSTRUCTIONS

READ ALL INSTRUCTIONS BEFORE USING THIS VACUUM

When using an electrical appliance, basic precautions should always be followed, including the following:

WARNING

TO REDUCE THE RISK OF FIRE, ELECTRIC SHOCK, OR INJURY:

1. Do not leave the vacuum when plugged in. Unplug from outlet when not in use and before servicing.
2. Do not use outdoors or on wet surfaces.
3. Do not allow to be used as a toy. Close attention is necessary when used by or near children.
4. Use only as described in this Operating Manual. Use only Dyson recommended attachments.
5. Do not use with damaged cord or plug. If the vacuum is not working as it should, has been dropped, damaged, left outdoors, or dropped into water, contact the Dyson Helpline.
6. Do not pull or carry by the cord, use the cord as a handle, close a door on the cord, or pull the cord around sharp edges or corners. Do not run the vacuum over the cord. Keep the cord away from heated surfaces.
7. Do not unplug by pulling on the cord. To unplug, grasp the plug, not the cord.
8. Do not handle plug or the vacuum with wet hands.
9. Do not put any object into openings. Do not use with any opening blocked; keep free of dust, lint, hair, and anything that may reduce air flow.
10. Keep hair, loose clothing, fingers, and all parts of body away from openings and moving parts, such as the brush bar.
11. Turn off all controls before unplugging.
12. Use extra care when cleaning on stairs.
13. Do not use to pick up flammable or combustible liquids, such as gasoline, or use in areas where they may be present.
14. Do not pick up anything that is burning or smoking, such as cigarettes, matches, or hot ashes.
15. Do not use without clear bin™ and filters in place.

SAVE THESE INSTRUCTIONS

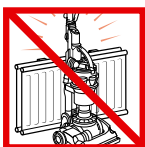
THIS APPLIANCE IS INTENDED FOR HOUSEHOLD USE ONLY

POLARIZATION INSTRUCTIONS

To reduce the risk of electric shock, this appliance has a polarized plug (one blade is wider than the other). This plug will fit in a polarized outlet only one way. If the plug does not fit fully in the outlet, reverse the plug. If it still does not fit, contact a qualified electrician to install a proper outlet. Do not change the plug in any way.



Do not pull on the cord.



Do not store near heat sources.



Do not use near open flame.



Do not run over the cord.



Do not pick up water or liquids.



Do not pick up burning objects.



Do not use above you on the stairs.



Do not put hands near the brush bar when the vacuum is in use.

INSTRUCCIONES DE SEGURIDAD IMPORTANTES

LEA TODAS LAS INSTRUCCIONES ANTES DE UTILIZAR LA ASPIRADORA

Al utilizar un aparato eléctrico, siempre debe tener precauciones básicas, incluyendo las que se enumeran a continuación:

PELIGRO

PARA DISMINUIR EL RIESGO DE PROVOCAR UN INCENDIO, RECIBIR UNA DESCARGA ELÉCTRICA O LESIONES:

1. No deje la aspiradora enchufada. Desenchúfela cuando no la esté utilizando o antes de hacerle el mantenimiento.
2. No utilice el aparato al aire libre o sobre superficies húmedas.
3. No permita que el aparato sea utilizado como un juguete. Preste mucha atención si es utilizado por niños y cerca de ellos.
4. Utilice el aparato sólo como se describe en este manual. Utilice solamente los accesorios Dyson recomendados.
5. No utilice el aparato si el cable o el enchufe están dañados. Si la aspiradora no funciona como debería, si se cayó, fue dañada, dejada al aire libre o sumergida en agua, comuníquese con la línea de ayuda de Dyson.
6. No utilice el cable como una manija ni tire de él, evite también atrapar el cable al cerrar una puerta o tirar de éste alrededor de esquinas o bordes filosos. No pise el cable con la aspiradora. Mantenga el cable alejado de superficies calientes.
7. No desconecte el aparato tirando del cable. Para desconectar, tome el enchufe y no el cable.
8. No toque el enchufe o la aspiradora con las manos mojadas.
9. No obstruya las aberturas del aparato con ningún objeto. No utilice el aparato si tiene alguna abertura obstruida; manténgalas libres de polvo, pelusas, cabellos o cualquier otra cosa que pueda reducir la circulación del aire.
10. Mantenga el cabello, ropa suelta, los dedos y cualquier otra parte del cuerpo alejados de las aberturas y de las partes móviles, como el cepillo.
11. Apague todos los controles antes de desconectar el aparato.
12. Tenga mucho cuidado cuando utilice la aspiradora sobre una escalera.
13. No aspire líquidos inflamables o combustibles como gasolina, ni la utilice en áreas dónde pueda haber este tipo de líquido.
14. No aspire nada que se esté quemando o que emita humo, como cigarrillos, fósforos o cenizas calientes.
15. No utilice la aspiradora si el compartimiento cubo transparente™ y los filtros no están colocados en su lugar.

CONSERVE ESTAS INSTRUCCIONES

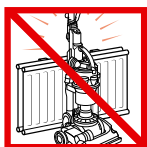
ESTE APARATO ES PARA USO DOMÉSTICO SOLAMENTE

INSTRUCCIONES DE POLARIZACIÓN

Para disminuir el riesgo de choque eléctrico, este aparato lleva un enchufe polarizado (una clavija es más ancha que la otra). Este enchufe se conecta a una toma de corriente polarizada de una sola forma. Si el enchufe no entra totalmente en la toma de corriente, dé la vuelta al enchufe. Si sigue sin entrar bien, póngase en contacto con un electricista calificado para instalar una toma de corriente correcta. No cambie el enchufe de ninguna manera.



No tire del cable.



No guarde la aspiradora cerca de fuentes de calor.



No utilice la aspiradora cerca de una llama.



No pise el cable.



No aspire agua ni ningún tipo de líquido.



No aspire objetos que estén ardiendo.



No coloque la aspiradora por encima de usted cuando esté en una escalera.



No ponga sus manos cerca del cepillo cuando esté utilizando la aspiradora.

Using your Dyson vacuum • Cómo utilizar su aspiradora Dyson

MEDIUM PILE
NIVEL INTERMEDIO

ON/OFF
ENC/APAG

SHORT PILE
NIVEL CORTO

BARE FLOOR
PISO DURO

DEEP PILE
NIVEL PROFUNDO

PLEASE NOTE:
See page 8 for recommended settings for different floor coverings.

RECUERDE:
Vea en la página 10 las configuraciones que se recomiendan para diferentes tipos de cubiertas para pisos.

Clear bin™ emptying • Cómo vaciar el compartimiento cubo transparente™

MAX

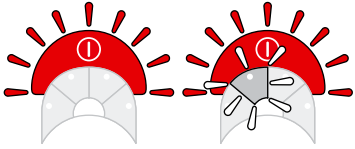
Flat Out™ head • Cabezal Flat Out™

Clearing brush bar obstructions • Cómo liberar las obstrucciones en el cepillo

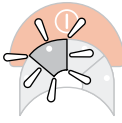
Looking for blockages • Cómo

Diagnostics • Diagnostics

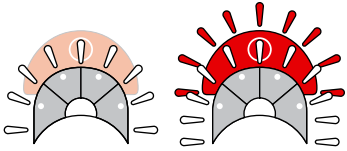
*See page 8. **Váse en la página 10.



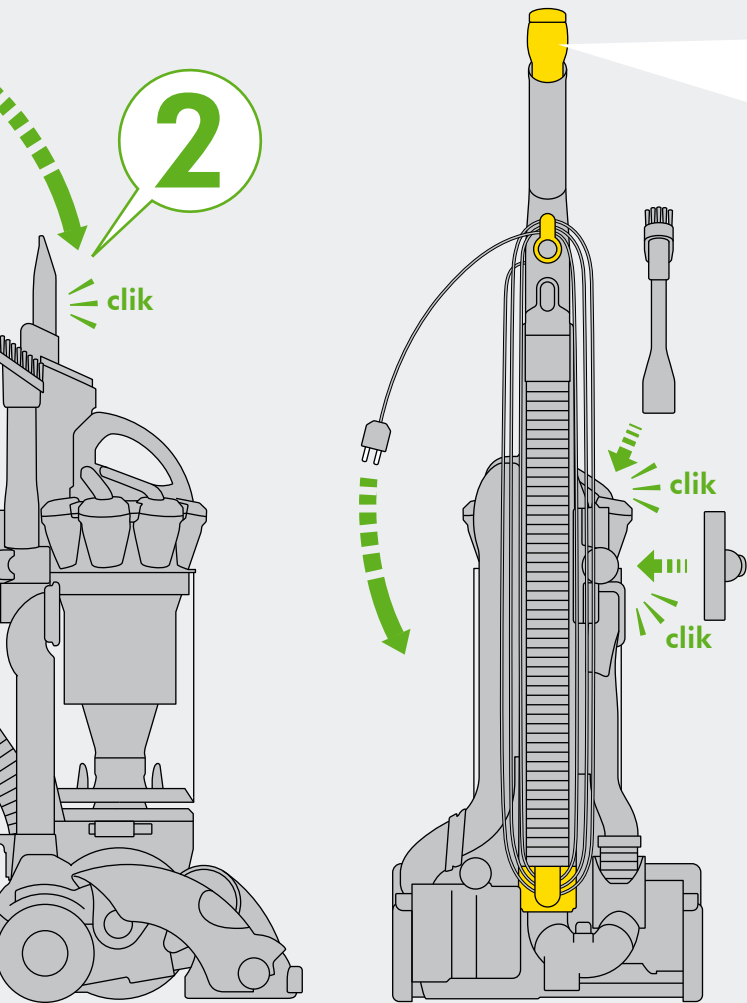
Please refer to the 'Clearing brush bar obstructions' section.*
Por favor consulte la sección 'Limpiando las obstrucciones de la barra del cepillo'.**



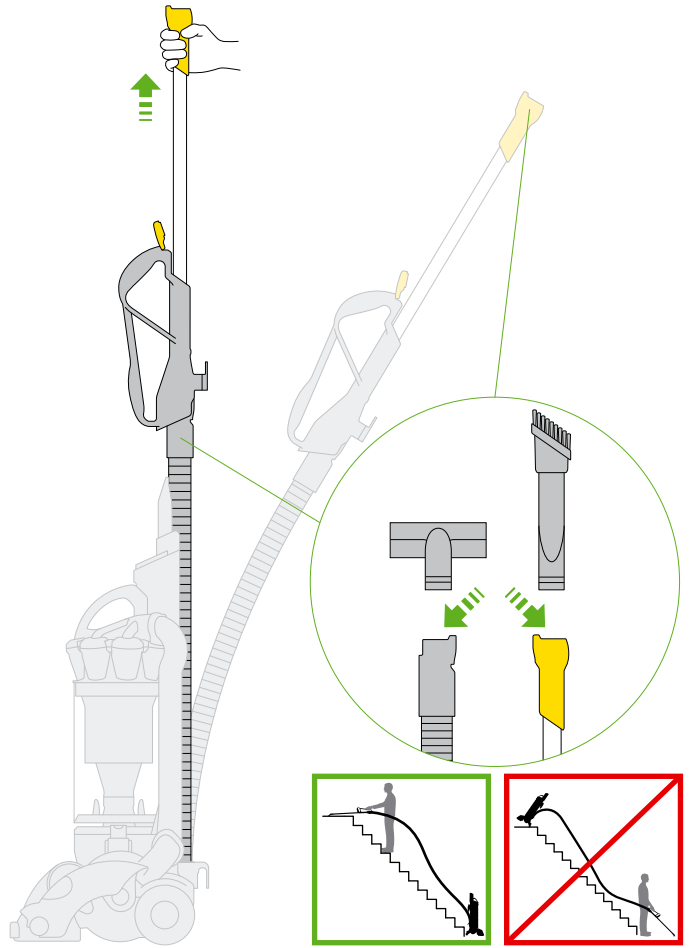
Re-set the carpet mode by selecting a different floor type then re-select the button for the desired floor type.*
Vuelva a iniciar el modo de alfombra seleccionando un tipo de piso diferente luego vuelva a seleccionar el botón para el tipo de piso deseado.**



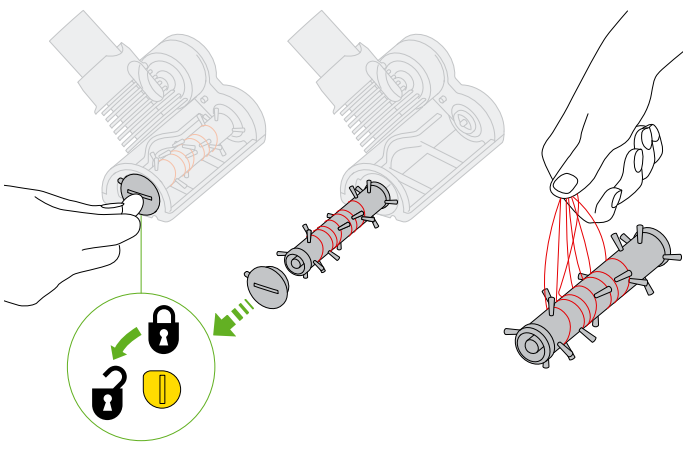
Re-set the vacuum by turning it off for at least 30 seconds then on again.*
Vuelva a iniciar la aspiradora apagándola por al menos 30 segundos luego préndala nuevamente.**



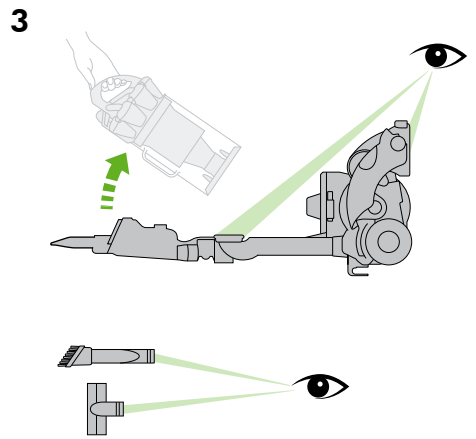
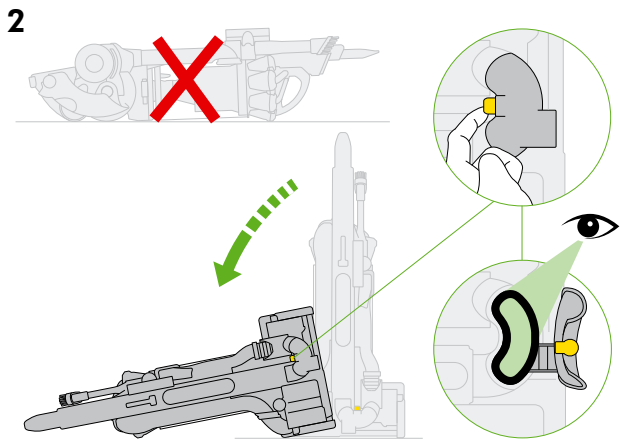
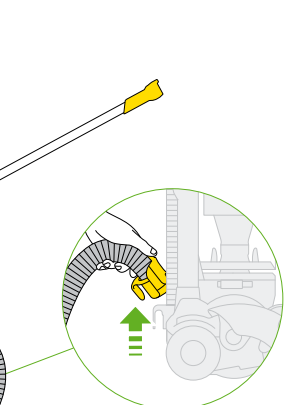
High-reach cleaning • Tubo telescópico ajustable a la longitud requerida



Turbine maintenance • Mantenimiento de la turbina



o buscar obstrucciones



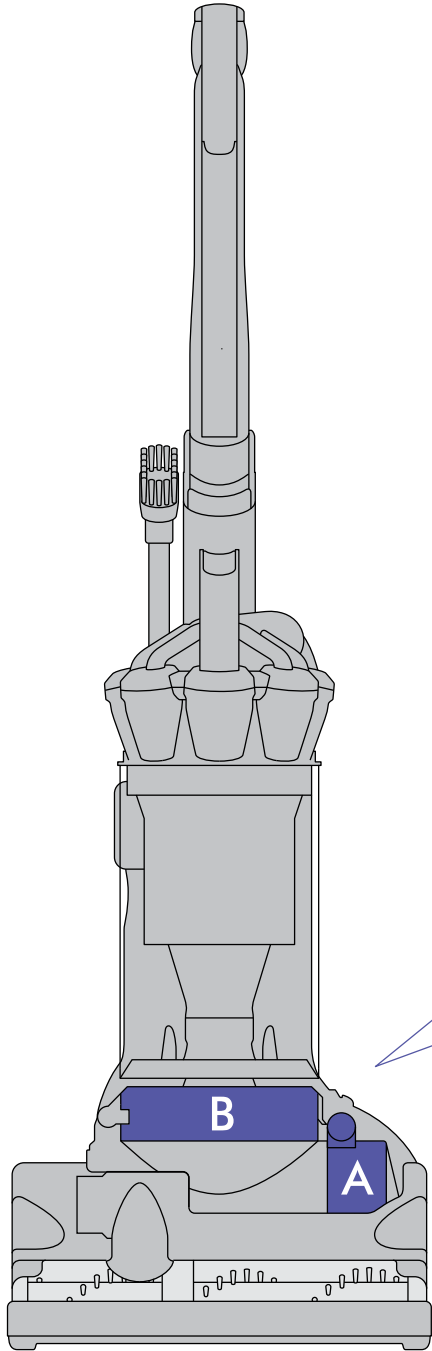
IMPORTANT!

WASH FILTERS

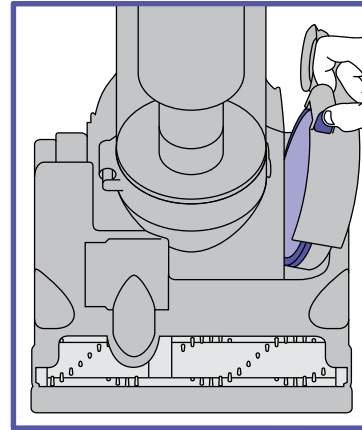
LAVADO DE LOS FILTROS



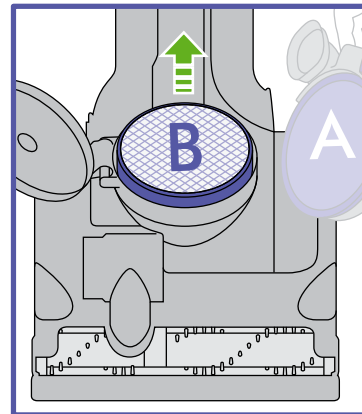
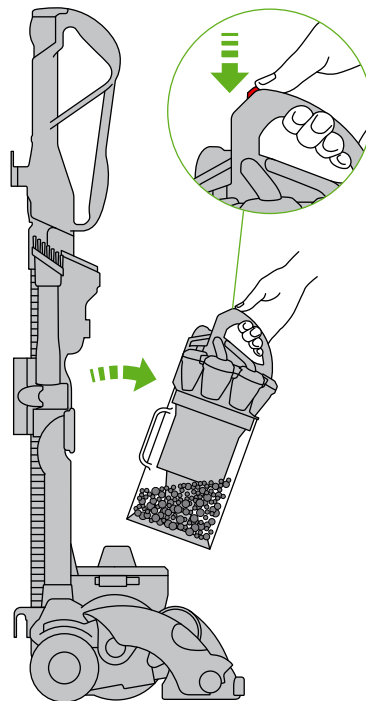
3 months
meses



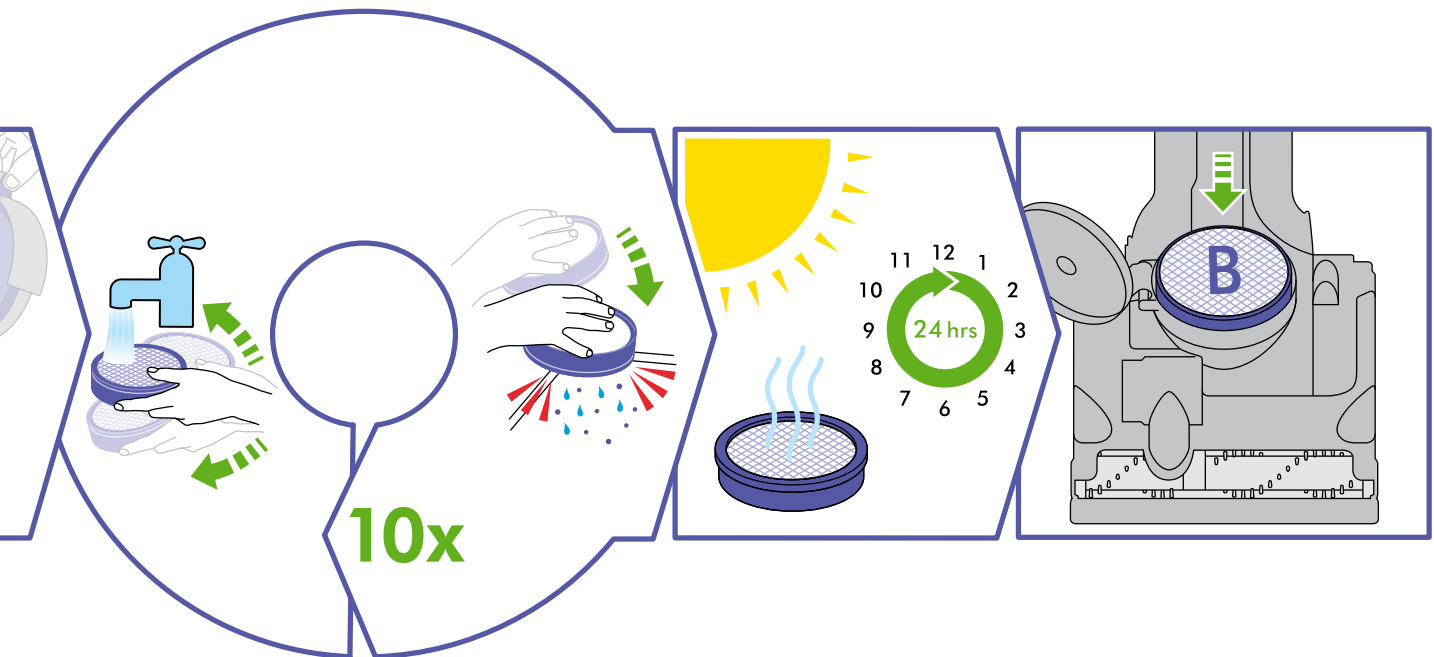
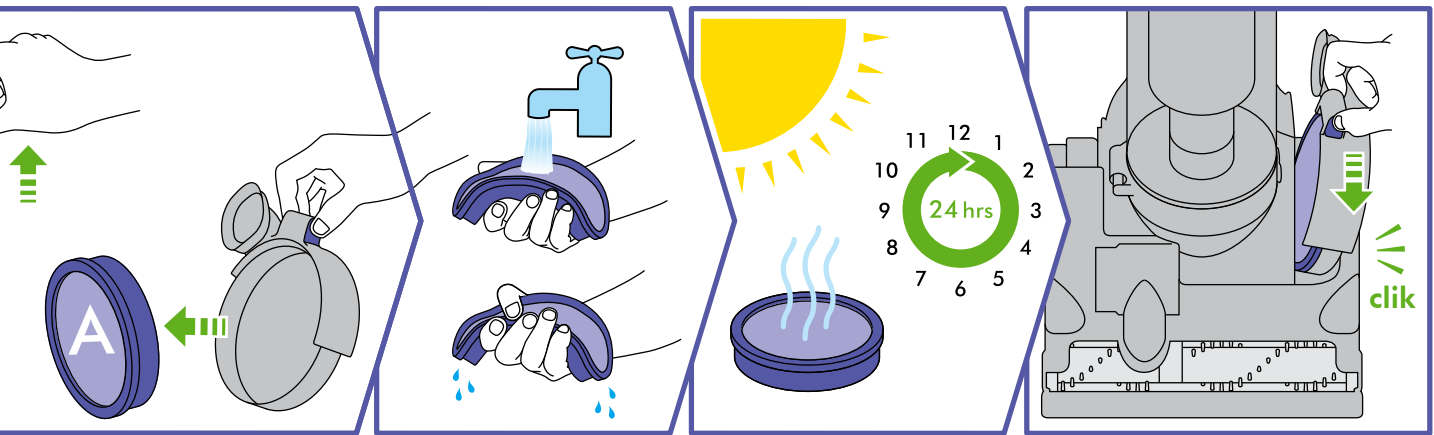
Filter • Filtre **A**



Filter • Filtre **B**



Wash filters with cold water at least every 3 months.
Lave los filtros con agua fria al menos cada 3 meses.



Rinse and shake filters under tap. Turn over and tap very firmly to remove motor emissions. Repeat 10 times or until water runs clear.

Enjuague y mueva el filtro debajo del grifo. De vuelta el filtro y golpéelo firmemente para eliminar las emisiones del motor. Repita 10 veces o hasta que el agua corra limpia.



ASSEMBLY

- Stand the vacuum up straight and slide the hose into guides at the back of the vacuum and click into place.
- Attach wand into top of hose and click.
- Click the wand handle into the top of the vacuum.
- Ensure the hose is straight. Slide the wand straight down into the hose.
- Attach the tools to the vacuum and wind the cord counter-clockwise around cord hooks and secure with clip.

USING YOUR DYSON VACUUM

Unwind the cord and insert the plug into a suitable socket. Hold the cleaner head down with your foot and pull the handle downwards. To switch 'ON' or 'OFF' press the power button in front of the handle.

⚠ CAUTION:

- Do not use or store this vacuum below 32°F (0°C). Ensure that the vacuum is at room temperature before operating.
- Do not allow the vacuum to be used by anyone who may not be able to operate it safely.
- The use of an extension cord is not recommended.
- Always switch off and unplug before performing maintenance on your vacuum.
- When returning to the upright position, ensure the wand and clear bin™ assembly are vertical.
- Ensure the cyclone is secured to the vacuum. Do not press the cyclone release button or shake the vacuum while carrying or it could fall and cause injury.
- Store the vacuum indoors. Put the vacuum away after use with the cord coiled safely, to prevent tripping hazards.
- Do not use outdoors or on wet surfaces or to vacuum water or other liquids – electric shock could occur.
- Do not lubricate any parts, or carry out any maintenance or repair work other than that shown in this Operating Manual, or advised by the Dyson Helpline.

PLEASE NOTE:

- This vacuum is intended for household use only.
- Fine dust such as plaster dust or flour should only be vacuumed in very small amounts.
- Do not use the vacuum to pick up sharp hard objects, small toys, pins, paper clips, etc. They may damage the vacuum.
- If used in a garage, care should be taken to wipe the soleplate and wheels with a dry cloth after vacuuming to clean off any sand, dirt, or pebbles that could damage delicate floors.
- Consult your flooring manufacturer's recommended instructions before vacuuming and caring for your flooring, rugs, and carpet. Some carpets will fuzz if a rotating brush bar is used when vacuuming. If this happens, we recommend vacuuming in bare floors mode and consulting with your flooring manufacturer.
- When vacuuming, certain carpets may generate small static charges in the clear bin™. These are entirely harmless and are not associated with the mains supply. To minimize any effect from this, do not put your hand or insert any object into the clear bin™ unless you have first emptied it and rinsed it out with cold water (see 'Clear bin™ cleaning' section).

CARPET SETTINGS AND BARE FLOORS

The vacuum will always default to the 'Med pile' setting when it is switched on and reclined. To change floor settings, press the button which best describes the floor type you are vacuuming whilst the vacuum is switched on.

To vacuum with the brush bar turned off (eg. For bare floors or delicate rugs / carpets), ensure the 'Bare floor' mode is activated prior to reclining the machine. A constant white light indicates the chosen setting has been activated.

FOR THE BEST CLEANING PERFORMANCE DYSON RECOMMENDS THE FOLLOWING CLEANER SETTINGS:	
Setting	Carpet/floor type
Deep pile	Plush, multi-styles and shag
Medium pile	Level-loops and lighter plush
Short pile	Commercial grade carpets and Wilton styles
Bare floor	Delicate rugs/carpets, floorboards, tiling, laminates, vinyl, etc.

Always follow your floor covering manufacturer's recommended instructions. The brush bar on this vacuum can damage certain carpet types. If unsure, turn brush bar off in order to ensure proper operation.

HIGH-REACH CLEANING

⚠ CAUTION:

- Switch 'OFF' the vacuum before changing tools.
- Powerful suction can cause the hose to 'pull back' – please take care.
- Take extra care when vacuuming on stairs; do not work with the vacuum above you on the stairs. Do not put the vacuum on chairs, tables etc.
- Ensure the vacuum is in the upright position before using tools.

PLEASE NOTE:

- To release the wand, open the wand cap and pull the red tube until the wand releases from the vacuum. Tools can be attached to either the hose or wand.
- The brush bar will not rotate when the vacuum is in an upright position.
- Ensure wand cap is closed when not in use.

CLEAR BIN™ EMPTYING

⚠ CAUTION:

- Switch 'OFF' the vacuum and unplug before emptying the clear bin™.

PLEASE NOTE:

- Empty as soon as the dirt reaches the level of the MAX mark – do not overfill.
- To remove clear bin™, press red button under the red power button. Press same button again firmly to empty.
- Do not use the vacuum without the clear bin™ in place.
- Emptying inside a bag is recommended for allergy sufferers.

CLEAR BIN™ CLEANING

- To remove clear bin™, press red button under the red power button. Press same button again firmly to empty.
- A grey release catch is exposed at back of the clear bin™. Press and hold grey button while holding handle. Pull and twist cyclone away.
- To replace cyclone unit onto the clear bin™, align grey button at reverse and push together. Check ridge at front of clear bin™ has also clicked evenly into place.

⚠ CAUTION:

- Do not immerse the whole cyclone in water or pour water into the cyclones.
- Ensure the clear bin™ is completely dry before replacing.

PLEASE NOTE:

- Do not use detergents, polishes or air fresheners to clean the clear bin™.
- Do not put the clear bin™ in a dishwasher.
- Clean the shroud with a cloth or dry brush to remove lint and dust.

WASHING YOUR FILTERS

DO THIS EVERY 3 MONTHS

⚠ CAUTION:

- Switch 'OFF' and unplug the vacuum before removing the filters.
- Ensure filters are completely dry before refitting to the vacuum.

PLEASE NOTE:

- This vacuum has two filters, located as shown. It is important to check your filters regularly and wash at least every three months according to instructions, to maintain performance.
- After washing please leave for 24 hours to dry completely.
- It is normal for filters to turn grey in color. The filters may require more frequent washing if vacuuming fine dust.
- Do not use detergents to clean the filters.
- Do not put the filters in a dishwasher, washing machine, tumble dryer, oven, microwave or near an open flame.

DIAGNOSTICS

Fingertip buttons	Action required
Red on/off button flashing only	Indicates an obstruction. The brush bar will automatically stop if it becomes obstructed. Please refer to the 'Clearing brush bar obstructions' section.
One white button flashing only	Re-set the carpet mode by selecting the button for a different floor type then re-selecting the button for the desired floor type. If this fails, check for obstructions by referring to the 'Clearing brush bar obstructions' section.
One white button flashing with red on/off button	Indicates an obstruction. Please refer to the 'Clearing brush bar obstructions' section.
Four flashing white buttons only	Re-set the vacuum by turning it off for at least 30 seconds then on again.
Four white lights flashing with red on/off button flashing	Re-set the vacuum by turning it off for at least 30 seconds then on again.

PLEASE NOTE: If you continue to experience problems, please contact the Dyson Helpline for further assistance.

LOOKING FOR BLOCKAGES

⚠ CAUTION:

- Switch 'OFF' and unplug the vacuum before checking for blockages. Failure to do so could result in personal injury.
- Please ensure the vacuum is upright and switched off before removing hose or airway inspection parts.
- Beware of sharp objects when clearing blockages.
- Refit all parts of the vacuum securely before using.

PLEASE NOTE:

- Clearing blockages is not covered by your vacuum's limited warranty.
- This vacuum is fitted with a thermal cut-out. If any part of the vacuum becomes blocked, it may overheat and automatically cut-out. Switch 'OFF' and unplug the vacuum and leave to cool down for at least 60 minutes before checking filters or for blockages.

CLEARING BRUSH BAR OBSTRUCTIONS

⚠ CAUTION:

- Switch 'OFF' and unplug the vacuum before clearing brush bar obstructions. Failure to do so could result in personal injury.
- Check for obstructions along the length of the brush bar and around the end mountings.
- Beware of sharp objects when clearing obstructions.
- Refit all parts of the vacuum securely before using.
- Depress the red ON/OFF button to turn the vacuum on again.

PLEASE NOTE:

- Clearing brush bar obstructions is not covered by your vacuum's limited warranty.

DYSON CUSTOMER CARE

THANK YOU FOR CHOOSING TO BUY A DYSON VACUUM

If you have a question about your Dyson vacuum, call the Dyson Helpline at 1-866-693-9766 with your serial number and details of where and when you bought the vacuum. Your serial number can be found on the rating plate, which is behind the clear bin™. Most questions can be solved over the phone by one of our Dyson Helpline staff. If your vacuum needs service, call the Dyson Helpline so we can discuss the available options. If your vacuum is under warranty, and it is a covered repair, it will be repaired at no cost.

DYSON HELPLINE

Call 1-866-693-9766 toll free, 7 days a week.

PLEASE REGISTER AS A DYSON VACUUM OWNER

To help us ensure you receive prompt and efficient service, please register as a Dyson vacuum owner. There are three ways to do this:

- Online at www.dyson.com
 - By calling the Dyson Helpline: 1-866-693-9766.
 - By completing and returning the attached Warranty Form to us by mail.
- This will confirm ownership of your Dyson vacuum in the event of an insurance loss, and enable us to contact you if necessary.

5 YEAR WARRANTY

TERMS AND CONDITIONS OF THE DYSON 5 YEAR LIMITED WARRANTY.

WHAT IS COVERED

Your Dyson vacuum is warranted against original defects in material and workmanship for a period of five years from the date of purchase, when used for private household purposes in accordance with the Operating Manual. This warranty provides, at no extra cost to you, all labor and parts necessary to ensure your vacuum is in proper operating condition during the warranty period. This limited warranty is subject to the following terms:

WHAT IS NOT COVERED

Dyson, Inc. shall not be liable for costs, damages or repairs incurred as a result of:

- Vacuums purchased from an unauthorized dealer.
- Clearing blockages from your vacuum.
- Carpet damage due to use not in accordance with flooring manufacturer's instructions or failure to turn brush bar off when necessary.
- Use of parts not in accordance with the Operating Manual.
- Careless operation or handling, misuse, abuse and/or lack of maintenance or use not in accordance with the Operating Manual.
- External sources such as weather.
- Repairs or alterations carried out by unauthorized parties or agents.
- Use of the vacuum other than for normal domestic purposes within the United States, e.g. for commercial or rental purposes.
- Normal wear and tear, including normal wearing parts such as clear bin™, belt, filter, brush bar, hose assembly and power cord (or where external damage or abuse is diagnosed).
- Use of parts and accessories other than those produced or recommended by Dyson, Inc.

WARRANTY SERVICE

- Please fill out and return the Warranty Form, or register online at www.dyson.com
- Before service can take place, the terms of the limited warranty require that you contact the Dyson Helpline with your model name/number, serial number, date and place of purchase. Please keep your purchase receipt in a safe place to ensure you have this information. The serial number is found on the vacuum's rating plate, which is behind the clear bin™.
- All work will be carried out by Dyson, Inc. or its authorized agents.
- Any replaced defective parts will become the property of Dyson, Inc.
- Service under this warranty will not extend the period of this warranty.
- If your vacuum is not functioning properly, please call the Dyson Helpline at 1-866-693-9766. Most issues can be rectified over the telephone by our trained Customer Care staff. If this is not possible Dyson, Inc. will arrange for your vacuum to be repaired and returned in full working order at no extra cost to yourself.

WARRANTY LIMITATIONS AND EXCLUSIONS

- Any implied warranties relating to your vacuum, including but not limited to warranty of merchantability or warranty of fitness for a particular purpose, are limited to the duration of this warranty. This limitation is not allowed by some States and so this limitation may not apply to you.
- Your remedy for breach of this warranty is limited to the warranty service described above. Dyson, Inc. will not be liable for any consequential damages or incidental damages you may incur in connection with your purchase and use of your vacuum. This limitation is not allowed by some States and so this limitation may not apply to you.
- This limited warranty gives you specific legal rights. You may also have other rights which vary by State.
- This limited warranty is not transferable.

IMPORTANT DATA PROTECTION INFORMATION

Your details will be held by Dyson, Inc. or others on behalf of Dyson, Inc. so that we can assist you more quickly in our Customer Service department. From time to time, Dyson, Inc. may send you special offers and news of our latest innovations. Check the box on the Warranty Form within the Operating Manual if you do not wish to receive marketing or promotional information from Dyson, Inc. For more information about our data collection practices, please refer to the Dyson, Inc privacy policy at www.dyson.com/privacy

PRODUCT INFORMATION

Net weight: 20.61lbs, (9.35kg), Voltage: 120V 60Hz, Rated current: 12A

Please note: Small details may vary from those shown.

This product is protected by the following intellectual property rights:

PATENT/PATENT APPLICATION NUMBERS:

EP 1119282; US 6,519,807; EP 1268076; US 6835222; EP 1361813; US 7290309; EP 1370172; US 6991666; EP 1361812; US 7278181; EP 1361814; US 7018439; EP 1361815; US 6974488; EP 04768834.6; US 2007-0079579; US 2008-0105510; WO 2005/107553; EP 05757418.8; US 11/631,109; GB 241296; EP 05757445.1; US 11/632,851; GB 2422093; EP 06700228.7; US 2008-000004; GB 2440718; WO 2008/017803; GB 2440716; WO 2008/017806; GB 2440515; WO 2008/015377; GB 2440717; WO 2008/017804; WO 2008/017801; GB 2440514; WO 2008/015378; GB 2440715; WO 2008/017802.

Equivalent patents, registered designs and applications exist in other countries.

CÓMO ARMAR LA ASPIRADORA

- Coloque la aspiradora en posición vertical y deslice la manguera por las guías en la parte posterior de la aspiradora hasta que haga clic en su sitio.
- Fije la varilla a la parte superior de la manguera hasta que haga clic.
- Haga clic en la manija de la varilla en la parte superior de la aspiradora.
- Asegúrese de que la manguera este derecha. Deslice la varilla derecho hacia abajo en dirección a la manguera.
- Acople las herramientas a la aspiradora, enrolle el cable en sentido contrario a las manecillas del reloj sobre los ganchos y asegúrelo en el broche.

CÓMO UTILIZAR SU ASPIRADORA DYSON

Desenrolle el cable e inserte el enchufe con una toma de corriente adecuada. Detenga el cabezal limpiador hacia abajo con el pie y tire de la manija hacia abajo. Para encender ("ON") o apagar ("OFF") presione el botón de encendido/apagado situado al frente de la manija.

⚠ ADVERTENCIA:

- No use o guarde esta máquina en un lugar con temperatura por debajo de 32°F (0°C). Antes de operar la máquina asegúrese de que está a temperatura ambiente.
- No permita que la aspiradora sea usada por alguien que no esté capacitado para operarla de manera segura.
- No es recomendable utilizar una extensión de cable.
- Siempre apague y desconecte la aspiradora antes de realizar cualquier tipo de mantenimiento.
- Cuando coloque la aspiradora nuevamente en posición vertical, compruebe que el conjunto del tubo y el compartimiento cubo transparente™ esté también en posición vertical.
- Asegúrese de que el extractor de polvo esté bien conectado a la aspiradora. No presione el botón para soltar el extractor ni sacuda la aspiradora mientras la transporta porque podría caerse y dañarse.
- Guarde la aspiradora bajo techo. Luego de utilizarla, guarde la aspiradora con el cable debidamente enrollado para evitar posibles tropiezos.
- No utilice el aparato al aire libre ni sobre superficies húmedas o para aspirar agua u otros líquidos, ya que podría recibir un choque eléctrico.
- No lubrique ninguna parte del aparato ni intente repararlo o realizar cualquier otro tipo de mantenimiento que no se encuentre en este manual o que no haya sido indicado por la línea de ayuda de Dyson.

RECUERDE:

- Esta aspiradora es para uso doméstico solamente.
- Sólo deben aspirarse cantidades pequeñas de polvo fino como por ejemplo residuos de yeso o harina.
- No utilice la aspiradora para recoger objetos duros cortantes, juguetes pequeños, alfileres, sujetapapeles, etc., ya que podrían dañar la aspiradora.
- Si se utiliza en un garaje, tenga sumo cuidado de limpiar la placa base y las ruedas con un paño seco después de aspirar, para quitarles la arena, suciedad o piedritas que podrían dañar los pisos delicados.
- Consulte las instrucciones recomendadas por el fabricante de su piso antes de aspirar y cuidar sus pisos, y alfombras. Algunas alfombras formarán pelusa si utiliza el cepillo rotatorio mientras aspira. Si esto sucede, recomendamos aspirar en el modo de pisos expuestos y consultar con el fabricante de su piso.
- Al aspirar, algunas alfombras pueden generar pequeñas descargas de estática en el compartimiento cubo transparente™. Estas son totalmente inofensivas y no están asociadas al suministro de corriente eléctrica. Para minimizar sus efectos, no coloque su mano ni introduzca ningún objeto en el compartimiento cubo transparente™ a menos que primero lo haya vaciado y lavado con agua fría (consulte la sección 'Cómo limpiar el compartimiento cubo transparente™').

PISOS CON ALFOMBRAS Y PISOS DESCUBIERTOS

Cuando la aspiradora está encendida y reclinada siempre estará por defecto en la posición "Pelo Medio" Para cambiar las configuraciones de acuerdo con el tipo de piso, presione el botón que mejor describa el tipo de piso que está aspirando mientras la aspiradora está prendida.

Para aspirar con la barra del cepillo apagada (por ejemplo Para pisos descubiertos o alfombras/carpetas delicadas), asegúrese que el modo 'Piso Descubierto' está activado antes de reclinar la máquina.

Una luz blanca constante indica que el modo que ha escogido ha sido activado.

PARA LOGRAR EL MEJOR RENDIMIENTO DE LIMPIEZA, DYSON RECOMIENDA CONFIGURAR LA ASPIRADORA DE LA SIGUIENTE MANERA:	
Configuración	Tipo de alfombra o piso
Nivel profundo	Afelpado, estilos variados, y de fibras largas y gruesas
Nivel intermedio	Lazos nivelados, afelpado ligero
Nivel corto	Alfombras de grado comercial y estilos Wilton
Piso duro	Alfombras o tapetes delicados, duelas, losetas, laminados, vinilo, etc.

Siempre siga sus instrucciones recomendadas del fabricante de alfombras para el suelo. El cepillo de esta aspiradora puede dañar ciertos tipos de alfombra. Si esta inseguro, apague el cepillo para asegurar la operación apropiada.

TUBO TELESCÓPICO AJUSTABLE A LA LONGITUD REQUERIDA

⚠ ADVERTENCIA:

- Apague la aspiradora antes de cambiar las herramientas.
- Si el aparato aspira a máxima potencia, la manguera puede retraerse. Tenga mucho cuidado.
- Tenga mucho cuidado cuando utilice la aspiradora sobre una escalera y no la coloque encima de usted. No suba la aspiradora a sillas, mesas, etc.
- Asegúrese de que la aspiradora esté en posición vertical antes de usar las herramientas.

RECUERDE:

- Para soltar el tubo, abra la tapa y tire del tubo rojo hasta que el tubo de aspiración quede liberado de la aspiradora. Las herramientas pueden colocarse tanto en el tubo como en la manguera.
- El cepillo no rotará cuando la aspiradora está en posición vertical.
- Asegúrese de que la tapa del tubo está cerrada cuando no se use.

CÓMO VACIAR EL COMPARTIMIENTO CUBO TRANSPARENTE™

⚠ ADVERTENCIA:

- Apague la aspiradora y desconéctela ("OFF") antes de vaciar el compartimiento cubo transparente™.

RECUERDE:

- Vacíe el compartimiento cuando la basura llegue al nivel máximo. Evite sobrecargarlo.
- Para desmontar el compartimiento cubo transparente™, presione el botón rojo que está debajo del botón rojo de encendido. Presione con fuerza el mismo botón nuevamente para vaciar el compartimiento.
- No utilice la aspiradora si el compartimiento cubo transparente™ no está colocado.
- Se recomienda a quienes sufren de alergias que vacíen el contenido en una bolsa.

CÓMO LIMPIAR EL COMPARTIMIENTO CUBO TRANSPARENTE™

- Para desmontar el compartimiento cubo transparente™, presione el botón rojo que está debajo del botón rojo de encendido. Presione con fuerza el mismo botón nuevamente para vaciar el compartimiento.
- El mecanismo gris de sujeción se verá en el lado posterior del compartimiento clear bin™. Presione el botón gris sin soltarlo mientras sujeta la manija. Extraiga el extractor de polvo girándolo para retirarlo.
- Para volver a colocar la unidad del extractor de polvo en el compartimiento cubo transparente™, alinear el botón gris de manera inversa y empujar para unir. Verifique que el borde del frente del compartimiento cubo transparente™ encaje en su lugar haciendo un clic.

⚠ ADVERTENCIA:

- No sumerja totalmente el extractor de polvo en agua ni ponga agua dentro de éste.
- Asegúrese de que el compartimiento cubo transparente™ esté totalmente seco antes de colocarlo.

RECUERDE:

- No utilice detergente, líquido para encerar ni desodorante de ambientes para limpiar el compartimiento cubo transparente™.
- No limpie el compartimiento cubo transparente™ en un lavavajillas.
- Limpie la cubierta con un paño o cepillo seco para remover el polvo y la pelusa.

CÓMO LAVAR LOS FILTROS

HAGA ESTO CADA 3 MESES

⚠ ADVERTENCIA:

- Apague la aspiradora y desconéctela antes de quitar los filtros.
- Asegúrese de que los filtros estén totalmente secos antes de volver a colocarlos en la aspiradora.

RECUERDE:

- Esta aspiradora tiene dos filtros, ubicados como se muestra en las ilustraciones. Es importante revisar los filtros con regularidad y lavarlos al menos cada tres meses de acuerdo con las instrucciones, para mantener el funcionamiento del aparato.
- Después de lavarlos, déjelos secar por completo durante 24 horas.
- Es normal que los filtros se vuelvan de color gris. Si se aspira polvo fino, será necesario lavar los filtros con mayor frecuencia.
- No use detergentes para limpiar los filtros.
- No coloque los filtros en el lavavajillas, la lavadora, la secadora, el horno, el microondas o cerca del fuego.

DIAGNÓSTICOS

Controles de presión táctil	Acción requerida
Solamente el botón rojo de apagado/prendido está destellando	Indica una obstrucción La barra del cepillo se apagará automáticamente si se encuentra obstruida. Por favor consulte la sección 'Limpiando las obstrucciones de la barra del cepillo'.
Solamente el botón blanco está destellando	Vuelva a iniciar el modo de alfombra seleccionando un botón para un tipo de piso diferente luego vuelva a seleccionar el botón para el tipo de piso deseado. Si esto no funciona, revise si hay obstrucciones y consulte la sección "Limpiando las obstrucciones de la barra del cepillo".
Un botón blanco destellando con el botón rojo de apagado/prendido	Indica una obstrucción. Por favor consulte la sección 'Limpiando las obstrucciones de la barra del cepillo'.
Cuatro botones blancos destellando	Vuelva a iniciar la aspiradora apagándola por al menos 30 segundos luego préndala nuevamente.
Cuatro botones blancos destellando con el botón rojo de apagado/prendido destellando	Vuelva a iniciar la aspiradora apagándola por al menos 30 segundos luego préndala nuevamente.

POR FAVOR ESTÉ ATENTO: Si usted continúa experimentando problemas, por favor contacte la Línea de Ayuda de Dyson para mayor asistencia.

CÓMO BUSCAR OBSTRUCCIONES

⚠ ADVERTENCIA:

- Apague la aspiradora y desconéctela antes de buscar obstrucciones. Si no lo hace, podría sufrir lesiones.
- Por favor asegúrese de que la aspiradora esté en posición vertical y apagada antes de quitar el tubo o las partes de inspección de la ventilación.
- Tenga cuidado al utilizar objetos filosos para sacar las obstrucciones.
- Coloque todas las partes de la aspiradora correctamente antes de utilizarla.

RECUERDE:

- Su garantía limitada no cubre la eliminación de obstrucciones.
- Esta aspiradora posee un sistema de desconexión térmica. Si alguna parte de la aspiradora se obstruye, esta puede sobrecalentarse y apagarse automáticamente. Apague y desenchufe la aspiradora y déjela enfriar al menos por 60 minutos antes de revisar los filtros o si hay obstrucciones.

CÓMO LIBERAR LAS OBSTRUCCIONES DEL CEPILLO

⚠️ ADVERTENCIA:

- Apague la aspiradora y desconéctela antes de liberar las obstrucciones del cepillo. Si no lo hace, podría sufrir lesiones.
- Revise si hay obstrucciones a lo largo de la barra del cepillo y alrededor de las monturas de los extremos.
- Tenga cuidado al utilizar objetos filosos para sacar las obstrucciones.
- Coloque todas las partes de la aspiradora correctamente antes de utilizarla.
- Oprima el botón rojo de apagado/prendido para encender la aspiradora nuevamente.

RECUERDE:

- Su garantía limitada no cubre la eliminación de obstrucciones del cepillo.

SERVICIO DE ATENCIÓN AL CLIENTE DYSON

GRACIAS POR ELEGIR COMPRAR UNA ASPIRADORA DYSON

Si tiene alguna duda acerca de su aspiradora Dyson, llame a la línea de ayuda de Dyson al 1-866-693-9766 con el número de serie e información de cuándo y dónde compró el producto. Encontrará el número de serie en la placa de datos de calificación que se encuentra detrás del compartimiento cubo transparente™. Si tiene más preguntas, puede consultar por teléfono a algún miembro de la línea de ayuda. Si su aspiradora necesita reparación llame a la Línea de ayuda de Dyson para poder analizar las opciones disponibles. Si su aspiradora tiene garantía y la reparación necesaria está incluida dentro de esa garantía, se reparará sin costo alguno.

LÍNEA DIRECTA DE ASISTENCIA AL CLIENTE DE DYSON

Llame al 1-866-693-9766, gratis, los 7 días de la semana.

POR FAVOR REGÍSTRESE COMO PROPIETARIO DE UNA ASPIRADORA DYSON

Para ayudarnos a asegurarle que reciba un servicio rápido y eficaz, por favor regístrese como propietario de una aspiradora Dyson. Hay dos maneras de hacerlo:

- En línea en www.dyson.com
- Llamando gratis a la línea de ayuda de Dyson: 1-866-693-9766.
- Completando y enviándonos por correo el formulario que se adjunta. Esto confirmará que la aspiradora Dyson es de su propiedad en caso de que ocurra una pérdida cubierta por el seguro, y nos permitirá contactarle si fuese necesario.

5 AÑOS DE GARANTÍA

TÉRMINOS Y CONDICIONES DE LA GARANTÍA LIMITADA DE 5 AÑOS DE DYSON.

QUÉ ESTÁ CUBIERTO

Su aspiradora Dyson está garantizada contra defectos originales de material o mano de obra por un período de cinco años a partir de la fecha de compra, cuando se utilice para fines domésticos privados y de acuerdo con el Manual de Instrucciones de Dyson. Esta garantía proporciona, sin costo para usted, toda la mano de obra y piezas para poner su aspiradora en perfectas condiciones de funcionamiento durante el plazo de garantía. Esta garantía está sujeta a los siguientes términos:

QUÉ NO ESTÁ CUBIERTO

Dyson, Inc. no será responsable de los costos incurridos como resultado de:

- Aspiradoras compradas a proveedores no autorizados.
- Eliminar obstrucciones de su máquina.
- Daño a la alfombra debido al uso no de acuerdo con las instrucciones del fabricante dado al caso de no apagar el cepillo cuando es necesario.
- El uso de piezas que no estén contempladas en el Manual de Instrucciones.
- El funcionamiento o manejo descuidado, uso indebido y/o falta de mantenimiento o el uso de forma contraria al Manual de Instrucciones.
- Factores externos, como por ejemplo el clima.
- Reparaciones o alteraciones llevadas a cabo por partes o agentes no autorizados.
- El uso de la aspiradora contrario a los usos domésticos normales dentro de los Estados Unidos de América, por ejemplo, para el uso comercial o alquiler.
- Uso y desgaste normal, incluido desgaste normal de partes como cubo transparente™, banda, filtro, cepillo, ensamble de la manguera, y cable de corriente (o donde se diagnostique daño o abuso externo).
- El uso de piezas y accesorios que no sean los producidos o recomendados por Dyson, Inc.

SERVICIO DE GARANTÍA

- Por favor complete y devuelva el Formulario de registro del producto, o regístrese en línea en www.dyson.com
- Antes de poder realizar el servicio, los términos de la garantía exigen que se ponga en contacto con la Línea Directa de Asistencia al Cliente de Dyson y que proporcione el nombre/número del modelo, número de serie, y la fecha y sitio de compra. Por favor mantenga la factura de compra en un sitio seguro para asegurarse de tener esta información. El número de serie se encuentra en la placa de calificación de la aspiradora, que se encuentra en el cuerpo principal de la máquina, detrás del cubo transparente™.
- Todo el trabajo lo llevará a cabo Dyson, Inc. o sus agentes autorizados.
- El cambio de cualquier pieza defectuosa no extenderá el período de la misma.
- El servicio según esta garantía no extenderá el período de esta garantía.
- Si su aspiradora no funciona correctamente, por favor llame a la Línea Directa de Asistencia al Cliente de Dyson por el 1-866-693-9766. La mayoría de los problemas pueden solucionarse por teléfono a través de nuestro personal capacitado en atención al cliente. Si esto no es posible, Dyson, Inc. hará que se repare y se le devuelva su aspiradora en perfectas condiciones sin costo adicional para usted.

LIMITACIONES Y EXCLUSIONES DE LA GARANTÍA

- Cualquier garantía implícita relacionada con su aspiradora, incluyendo pero sin limitarse a una garantía de comerciabilidad o garantía de idoneidad para un propósito en particular, se limita a la duración de esta garantía. Esta limitación no está permitida por algunos estados, por lo que esta limitación puede no aplicarse a usted.
- El recurso por el incumplimiento de esta garantía se limita al servicio de garantía descrito anteriormente. Dyson, Inc. no será responsable de ningún daño consecuente o incidental en el que se pueda incurrir en conexión con la compra y uso de su aspiradora. Esta limitación no está permitida por algunos estados, por lo que esta limitación puede no aplicarse a usted.
- Esta garantía limitada le otorga derechos legales específicos. Usted podría también tener otros derechos los cuales varían de acuerdo al estado.
- Esta garantía le otorga derechos legales específicos.

INFORMACIÓN IMPORTANTE PARA LA PROTECCIÓN DE DATOS

Dyson, Inc. o terceros a nombre de Dyson, Inc. mantendrán sus detalles para poder asistirle más rápidamente en nuestro departamento de Atención al Cliente. De vez en cuando, Dyson, Inc. puede enviarle ofertas especiales y noticias sobre nuestras últimas innovaciones. Marque la casilla correspondiente en el Formulario de garantía dentro del Manual de Funcionamiento en caso de que no desee recibir información comercial o promocional de Dyson, Inc. Para obtener más información sobre nuestras prácticas de obtención de datos, consulte las normas de privacidad de Dyson, Inc. en www.dyson.com/privacy

INFORMACIÓN ACERCA DEL PRODUCTO

Peso neto: 20.61lbs, (9.35kg), Voltaje: 120V 60Hz, Corriente nominal: 12A

Recuerde: El producto puede diferir en algunos pequeños detalles en comparación con las ilustraciones.

Este producto se encuentra bajo la protección de los siguientes derechos de propiedad intelectual:

PATENTE/NÚMEROS DE SOLICITUD DE PATENTE:

EP 1119282; US 6,519,807; EP 1268076; US 6835222; EP 1361813; US 7290309; EP 1370172; US 6991666; EP 1361812; US 7278181; EP 1361814; US 7018439; EP 1361815; US 6974488; EP 04768834.6; US 2007-0079579; US 2008-0105510; WO 2005/107553; EP 05757418.8; US 11/631,109; GB 241296; EP 05757445.1; US 11/632,851; GB 2422093; EP 06700228.7; US 2008-000004; GB 2440718; WO 2008/017803; GB 2440716; WO 2008/017806; GB 2440515; WO 2008/015377; GB 2440717; WO 2008/017804; WO 2008/017801; GB 2440514; WO 2008/015378; GB 2440715; WO 2008/017802.

En otros países existen patentes equivalentes, diseños y aplicaciones registrados.

IMPORTANT!

WASH FILTERS

LAVADO DE LOS FILTROS



months
meses

Wash filters with cold water at least every 3 months.
Lave los filtros con agua fría al menos cada 3 meses.



Dyson Customer Care

If you have a question about your Dyson vacuum, call the Dyson Helpline with your serial number and details of where and when you bought the cleaner, or contact us via the Dyson website. The serial number can be found on the main body of the vacuum behind the clear bin™.

Dyson Customer Care

1-866-693-9766

Toll free, 7 days a week

Servicio de atención al cliente Dyson

1-866-693-9766

Llamada gratuita, 7 días a la semana



WARRANTY FORM CONTINUED CONTINUACIÓN DEL FORMULARIO DE GARANTÍA

Please take a few moments to answer our questions.
They will help us develop new products for the future.

Tómese unos instantes para responder a nuestras preguntas.
Esto nos ayudará a desarrollar nuevos productos en el futuro.

1. Why did you decide to buy a Dyson vacuum?

- Cleaning performance
- Advanced Technology/ Features
- Style / Design
- Warranty
- Recommendation
- Promotion
- No loss of suction
- Asthma and allergy certification
- HEPA filtration

2. Do you own pets?

- Cat / Dog
- Other
- None

3. Would you like to hear about future asthma and allergy related initiatives or product development at Dyson?

- Yes
- No

1. ¿Por qué decidió comprar una aspiradora Dyson?

- Capacidad de limpieza
- Tecnología avanzada / Funciones
- Estilo / Diseño
- Garantía
- Recomendación
- Promoción
- No pierde succión
- Certificación para asma y alergia
- Filtro HEPA

2. ¿Tiene mascotas?

- Gato / Perro
- Otra
- Ninguna

3. ¿Le gustaría saber sobre el desarrollo de productos o las futuras iniciativas en cuanto a asma y alergia en Dyson?

- Sí
- No

THANK YOU FOR YOUR TIME • GRACIAS POR DEDICARNOS SU TIEMPO





WARRANTY FORM • FORMULARIO DE GARANTÍA

Date of purchase | Fecha de compra

Grid for date of purchase

Serial number | Número de série

Large text area for serial number

Title | Tratamiento

Grid for title

Last name | Apellido

Grid for last name

First name | Apellido

Grid for first name

Address | Dirección

Grid for address

Zip Code | Código postal

Grid for zip code

e-mail | e-mail

Grid for e-mail

Telephone | Teléfono

Grid for telephone

Small checkbox

From time to time, we'd like to tell you about new Dyson technology and services or get your opinion about your purchase. If you'd prefer us NOT to keep in touch and to ask you questions about your purchase, please tick this box.

De vez en cuando, querríamos decirle acerca de la nueva tecnología de Dyson y servicios o conseguir su opinión acerca de su compra. Si usted prefiere que NADIE de nuestra empresa lo contacte y le haga preguntas respecto a su compra, favor de marcar esta casilla.

3 EASY WAYS TO REGISTER | 3 MANERAS FÁCILES DE REGISTRARSE

ONLINE

Convenient and instant.
www.dyson.com/register



EN LÍNEA

Conveniente y al instante.
www.dyson.com/register

PHONE

Just call our Helpline on 1-866-693-9766. It's open from 7am - 8pm Monday to Friday, 8am - 6pm Saturday and 9am - 6pm Sunday CST.



POR TELÉFONO

El horario es de lunes a viernes de 7 am a 8 pm, sábados de 8 am a 6 pm y domingos de 9 am a 6 pm hora oficial del centro. 1-866-693-9766.

MAIL

Complete and return the form in the envelope supplied.



POR CORREO

Complete este formulario y envíelo.

